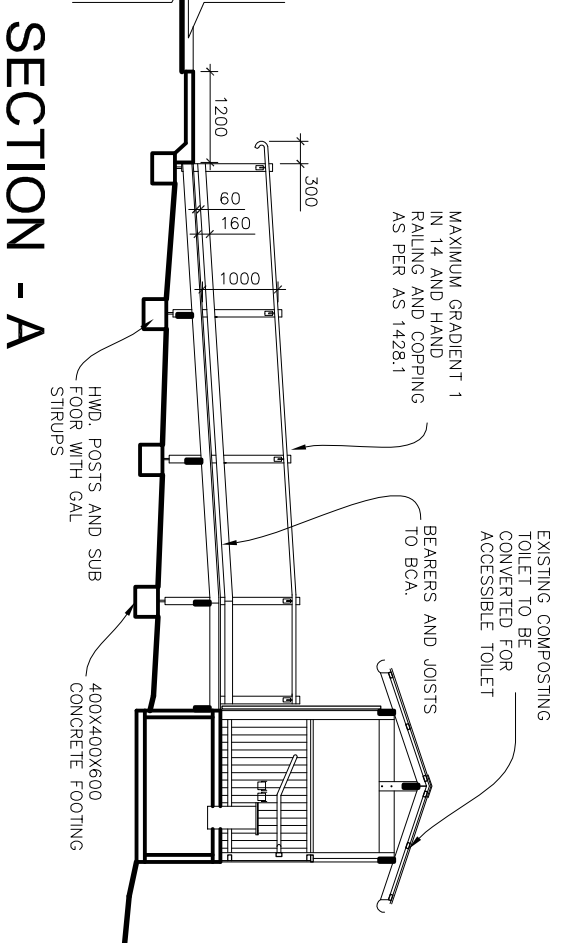
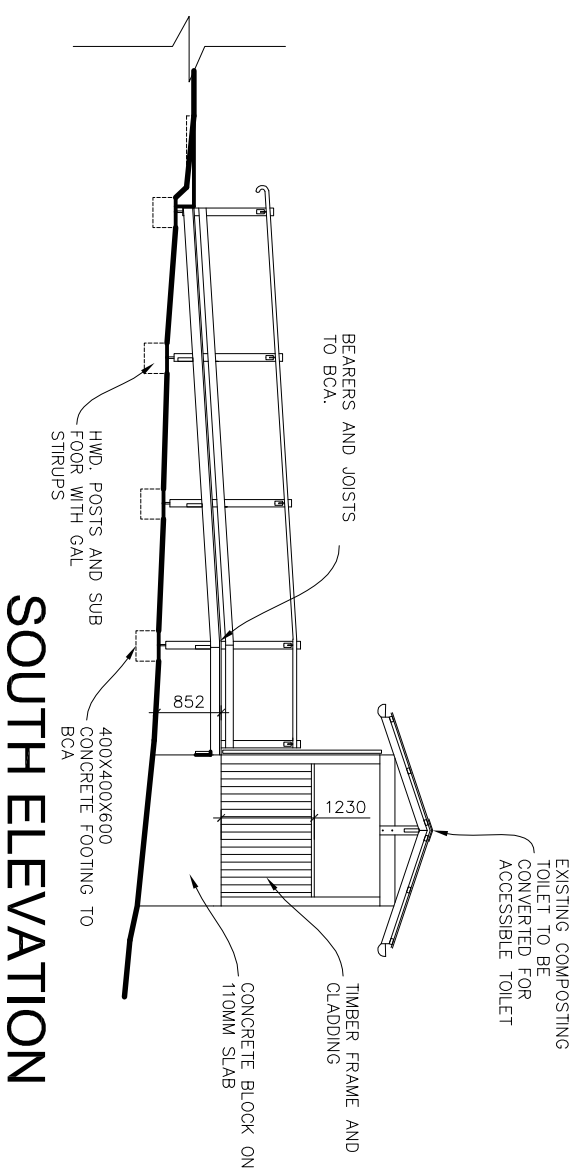


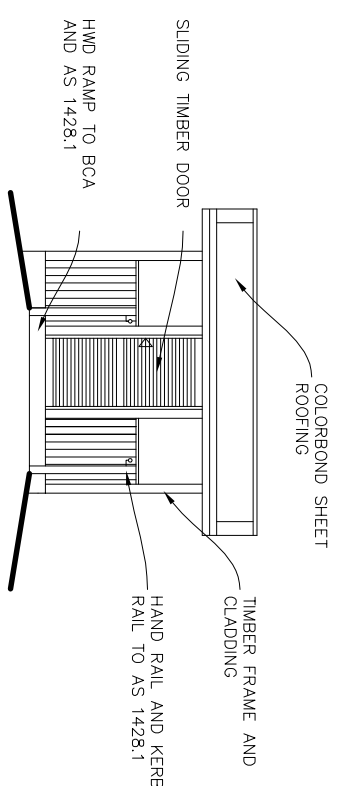
FLOOR PLAN.



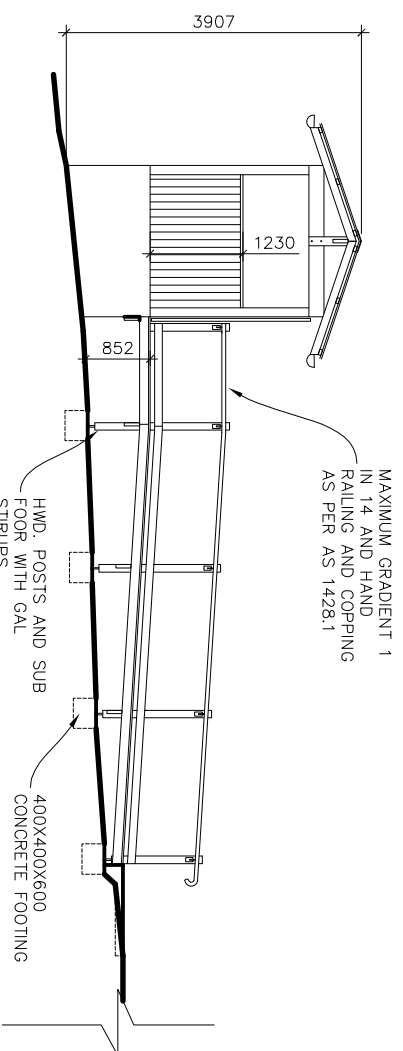
SECTION - A



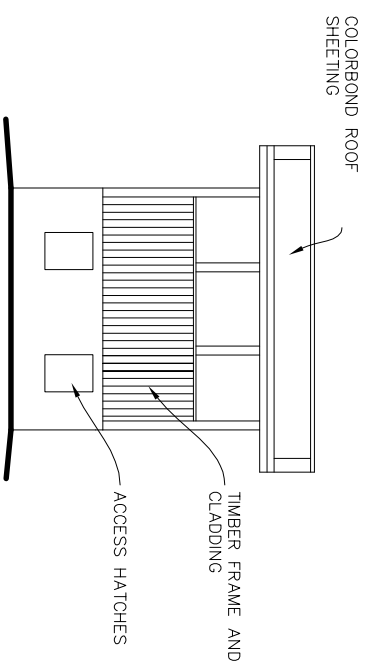
SOUTH ELEVATION



WEST ELEVATION



NORTH ELEVATION



EAST ELEVATION

Project:
ACCESSABLE COMPOSTING TOILET

BEFORE COMMENCING WORK:
-Verify all dimensions
-Do not scale the drawings

-All works must comply with
BCA and AS 1428.1

401 McCABES ROAD
BUNDAGEN
NSW 2454

Drawing:
PLAN SECTION AND ELEVATIONS

Scale: 1:100
Date: 29 JUL Y 2016

Status: DA
Drawn by: SEBASTIAN GINER

Project No.: 201503
Drawing No.: 01

Plot Date: 00/00/00